

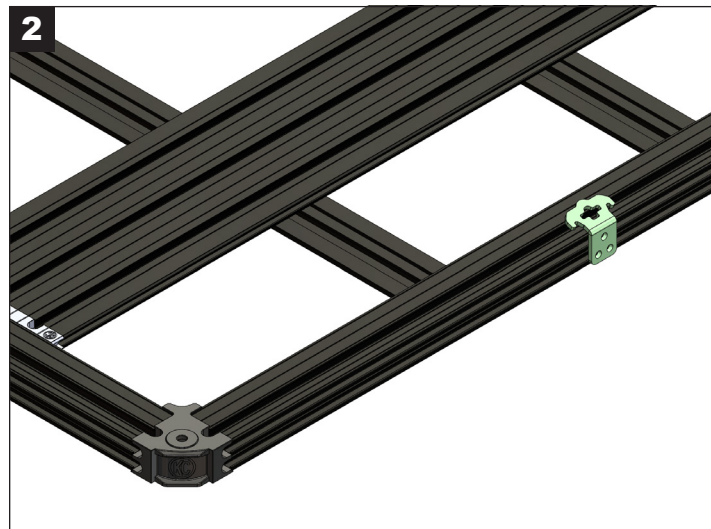


INSTALLATION INSTRUCTIONS

IMPORTANT: Please read all instructions before beginning installation. These guidelines are provided in good faith to help prevent any issues arising from errors during installation. The manufacturer of this product shall not be held responsible for any user actions taken or not taken during installation. There are many details of the installation that are assumed to be general mechanical knowledge to experienced installers; which are not detailed in these instructions. These installation guidelines are intended to serve as professional recommendations and are not as a step-by-step, fail-safe installation checklist. Selection of an experienced installer is the sole responsibility of the project owner.



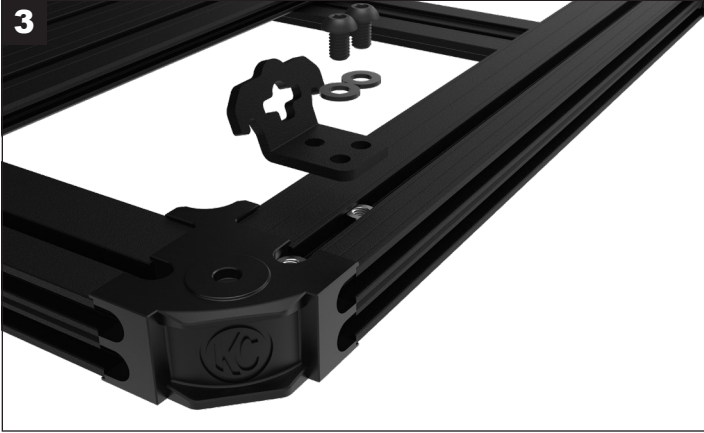
TOOLS NEEDED: 13MM WRENCH. METRIC SOCKET SET



THIS BRACKET IS DESIGNED TO BE A 3-IN-1. IT CAN ACCEPT A HOOK UP TO 10MM IN DIAMETER. THE RECTANGULAR CUTOUT IS INTENDED TO FEED 1" WEBBING THROUGH. THE OUTER HOOKS ARE INTENDED TO ACCEPT A ROPE OR WEBBING LOOP.

THIS BRACKET CAN EITHER BE MOUNTED ON THE SIDE EXTRUSION, WITH THE ANGLE INBOARD, OR MOUNTED ON ANY OF THE TOP EXTRUSION CHANNELS.

INSTALLATION INSTRUCTIONS



ONCE THE MOUNTING POSITION HAS BEEN DETERMINED, DROP THE INCLUDED M8 NUTS INTO THE CORRESPONDING EXTRUSION CHANNEL. PLACE THE BRACKET OVER THE HARDWARE AND HAND TIGHTEN.



TIGHTEN ALL HARDWARE ACCORDINGLY.