



**ADVENTURE
FURTHER®**

**GRAVITY BAR OVERHEAD MOUNT
24+ CANAM MAVERICK R
59-00209IM**

INSTALLATION INSTRUCTIONS

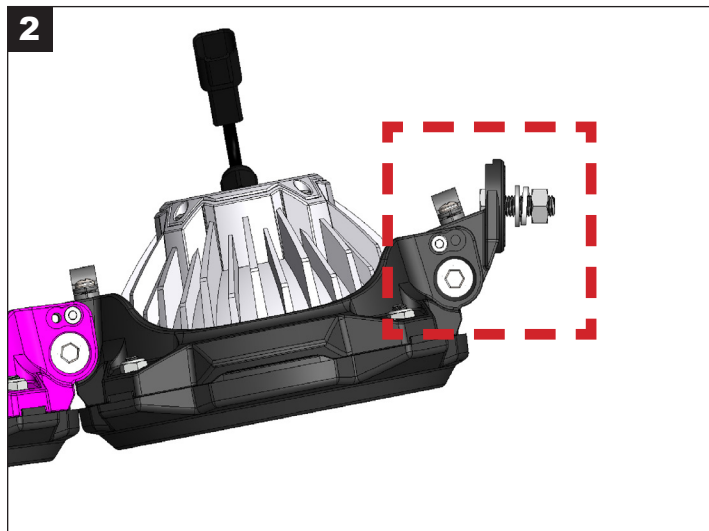
IMPORTANT: Please read all instructions before beginning installation. These guidelines are provided in good faith to help prevent any issues arising from errors during installation. The manufacturer of this product shall not be held responsible for any user actions taken or not taken during installation. There are many details of the installation that are assumed to be general mechanical knowledge to experienced installers; which are not detailed in these instructions. These installation guidelines are intended to serve as professional recommendations and are not as a step-by-step, fail-safe installation checklist. Selection of an experienced installer is the sole responsibility of the project owner.



TOOLS NEEDED: 12MM AND 13MM SOCKETS OR WRENCHES, METRIC HEX BIT SET



1
INSTALL BRACKETS USING THE PROVIDED HARDWARE ON THE HOLES THROUGH THE ROLL CAGE NEAR THE FRONT OF THE ROOF. LEAVE HARDWARE LOOSE TEMPORARILY TO EASE THE LATTER PART OF THE INSTALL.

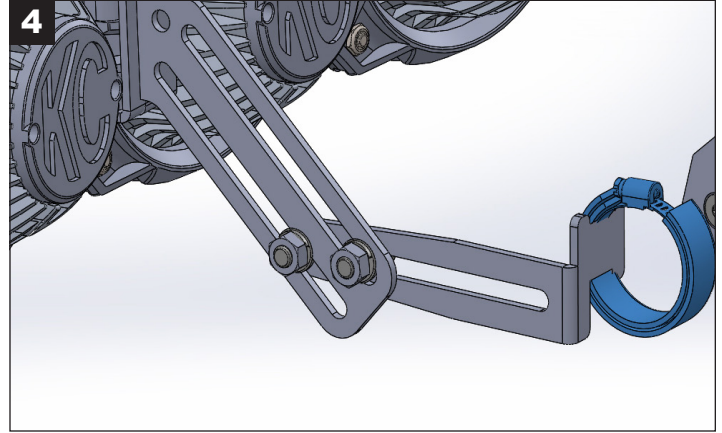


2
REMOVE THE END MOUNT HARDWARE FROM THE GRAVITY BAR AND LOOSEN THE END MOUNT ADJUSTMENT SCREWS. THIS WILL ALLOW THE END MOUNT TO SWIVEL AND MATE UP TO THE INSTALLED BRACKETS.

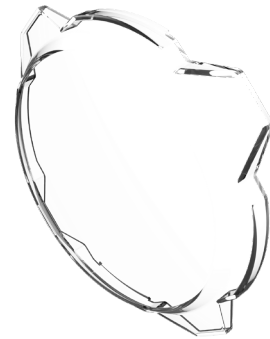
INSTALLATION INSTRUCTIONS



TAKE THE GRAVITY BAR ASSEMBLY AND MOUNT IT UP TO THE BRACKETS. TIGHTEN HARDWARE ALLOWING THE MOUNTS TO CENTER THEMSELVES AGAINST THE BRACKETS. DOUBLE CHECKING BOTH SIDES FOR EVEN FITMENT AND CORRECT ORIENTATION, TIGHTEN ALL HARDWARE SECURING THE BAR TO THE UTV.



LOOSEN THE CENTER SUPPORT HARDWARE, ALLOWING IT TO PIVOT FREELY. POSITION THE CENTER ASSEMBLY THAT THE BASE OF THE SUPPORT BRACKET IS CLEAR OF THE VISOR AND TANGENT TO THE ROLL CAGE. INDEX THE HOSE CLAMP ASSEMBLY AROUND THE BRACKET AND TIGHTEN , SECURING THE ASSEMBLY IN PLACE. DOUBLE CHECK ALL HARDWARE.



BE SURE TO CHECK OUT OUR FULL RANGE OF LIGHTS & ACCESSORIES TO HELP YOU ADVENTURE FURTHER!

