



**ADVENTURE
FURTHER®**

**21+ FORD BRONCO
30" FLEX ERA BAR FRONT BUMPER MOUNT
59-00192-01**

INSTALLATION INSTRUCTIONS

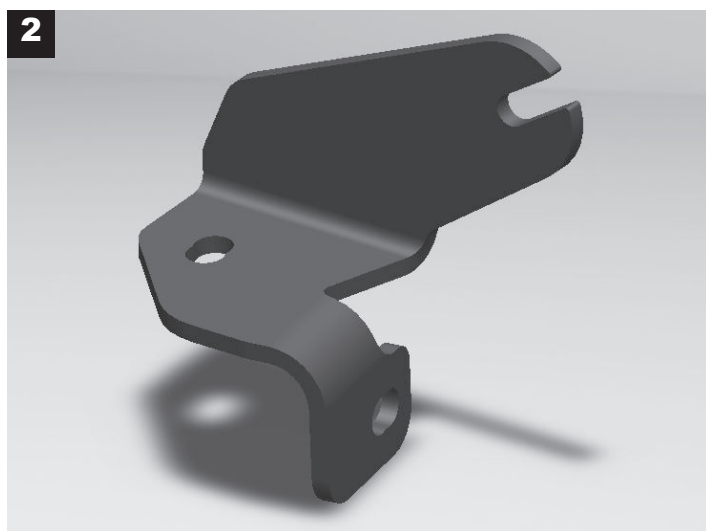
IMPORTANT: PLEASE READ ALL INSTRUCTIONS BEFORE BEGINNING INSTALLATION. THESE GUIDELINES ARE PROVIDED IN GOOD FAITH TO HELP PREVENT ANY ISSUES ARISING FROM ERRORS DURING INSTALLATION. THE MANUFACTURER OF THIS PRODUCT SHALL NOT BE HELD RESPONSIBLE FOR ANY USER ACTIONS TAKEN OR NOT TAKEN DURING INSTALLATION. THERE ARE MANY DETAILS OF THE INSTALLATION THAT ARE ASSUMED TO BE GENERAL MECHANICAL KNOWLEDGE TO EXPERIENCED INSTALLERS; WHICH ARE NOT DETAILED IN THESE INSTRUCTIONS. THESE INSTALLATION GUIDELINES ARE INTENDED TO SERVE AS PROFESSIONAL RECOMMENDATIONS AND ARE NOT AS A STEP-BY-STEP, FAIL-SAFE INSTALLATION CHECKLIST. SELECTION OF AN EXPERIENCED INSTALLER IS THE SOLE RESPONSIBILITY OF THE PROJECT OWNER.

TOOLS NEEDED:

- T30 TORX PLUS (PRO TIP: IF USING RATCHET AND BITS, AN EXTENSION WILL IS RECOMMENDED FOR THE UPPER OEM SCREWS)
- TAPE MEASURE



USING THE T30 TORX PLUS, REMOVE THE 4 IDENTIFIED OEM SCREWS.



USING THE OEM HARDWARE, MOUNT THE TWO BRACKETS WITH THE UPRIGHTS TOWARD THE OUTSIDE OF THE VEHICLE. (DRIVERS SIDE MOUNT PICTURED ABOVE.) THE DISTANCE BETWEEN THE TWO UPRIGHT SECTIONS SHOULD BE 31-3/8". (FOLLOW THE INSTRUCTIONS FOR THE 30 INCH FE BAR TO ASSEMBLE THE LIGHTBAR)



POSITION THE FLEX ERA BAR ONTO THE MOUNTING BRACKETS. MAKE SURE TO AIM THE LIGHT BAR BEFORE FULLY TIGHTENING THE LIGHT BAR INTO POSITION. PLEASE FOLLOW THE LIGHT BAR INSTRUCTIONS FOR ADDITIONAL LIGHT SPECIFIC INSTRUCTIONS.



FINAL PRESENTATION