



PRO6[®] LED LIGHT BAR SYSTEM

The Pro6 LED Light Bar System is engineered to utilize the Gravity[®] LED G6 Optical Inserts, and feature the revolutionary Infinity Ring[™] System - the industry's first adjustable and configurable lighting system.

- Infinity Ring[™] System - Patent Pending Application: 14/704,736
- Powered by Patented Gravity LED G6 Optical Inserts with GRD[™] Technology
- Multiple G6 Optical Insert Beams available: Spot, Spread, & Wide-40[™]
- Maximum Tune-Ability
- High Power & High Efficiency
- Trademark Four-Tab Signature Styling



SAFETY | REGISTRATION | WARRANTY

Liability Disclaimer

KC HiLiTES Inc. takes extreme measures to engineer products with the most advanced features available in the industry and tested under the most extreme conditions - it's through this rigorous process that complementary accessories are tested and developed. KC will not be liable under any circumstances if damages are sustained due to use of unapproved mounting, improper installation and mis-use of the Pro6 LED Light Bar System.



WARNING

The Pro6 LED Light Bar was engineered, designed, and tested using KC approved overhead mounts. KC assumes no responsibility for any damages sustained, due to use of mounting solutions that have not undergone the same testing of KC-Mounting Solutions. For questions about Approved Pro6 LED Light Bar Mounts or proper installation beyond this manual, please visit: <http://www.kchilites.com/support>.

- It is highly recommended that the installation is performed by an Authorized Dealer to ensure proper installation and wiring.
- Please exercise caution during installation. Due to the size and weight of the light system, it is recommended that the installation is performed by at least 2 people.
- Pro6 configurations of 6-Rings (or more) will include a reinforcement bumpstop assembly for added stability and vibration dampening.

PRODUCT REGISTRATION

Thank you for becoming part of the KC HiLiTES family and purchasing one of our premium KC products! With over 45 years of history in the auxiliary lighting market, you have become a part of our ever growing family, and we encourage you to register your product online at [HTTP://REGISTER.KCHILITES.COM](http://register.kchilites.com) to ensure you get all the benefits of owning a KC HiLiTES product.

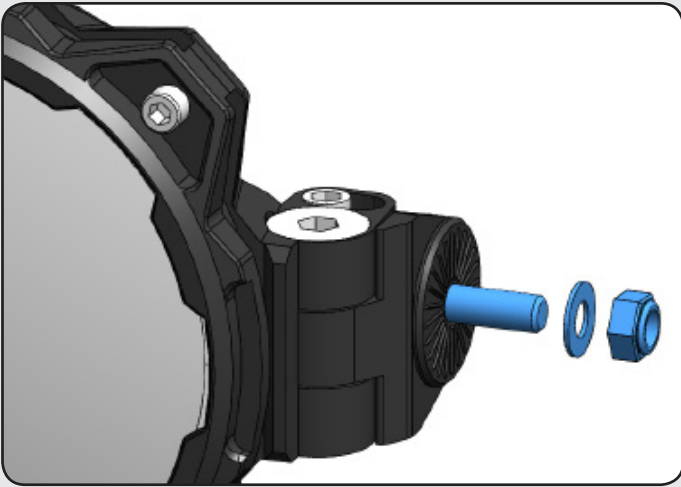
- **Receive a unique serial number certifying your purchase**
- **Fast and Easy Returns and Warranties**
- **Special offers and promotions**
- **Exclusive access to industry events**

KC's 23-Year Warranty offers a guarantee from manufacturers defects from the optics, electronics and workmanship. For more details about our Warranty Policy please visit: <http://www.kchilites.com/warranty>.

QUICK START GUIDE

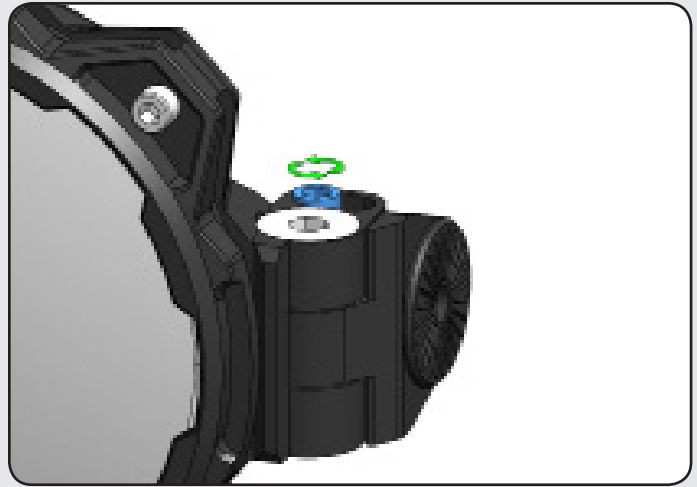
For more in-depth instructions on ALL the Pro6 features:
• Vehicle Specific Configurations • Radius Adjustment • G6 Clocking
Visit us at: <http://www.kchilites.com/pro6>

1. Remove End Mount Hardware



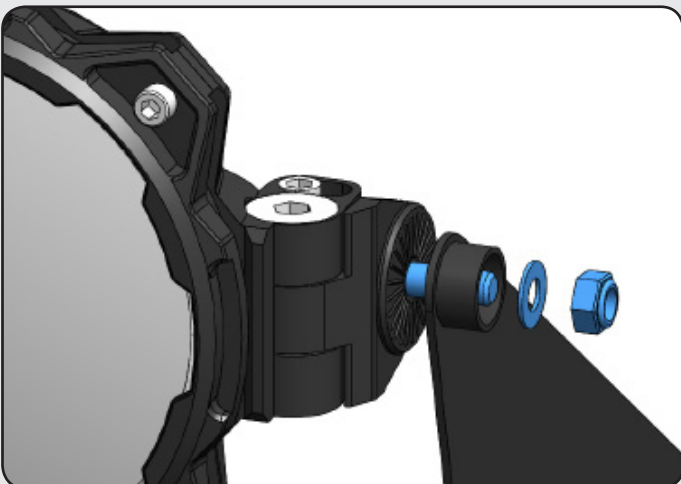
Remove the M8 Mounting hardware from End Mounts on both sides of the bar. This will allow for easier installation on fixed mounting applications.

2. Loosen End Mount Adjustment Screws



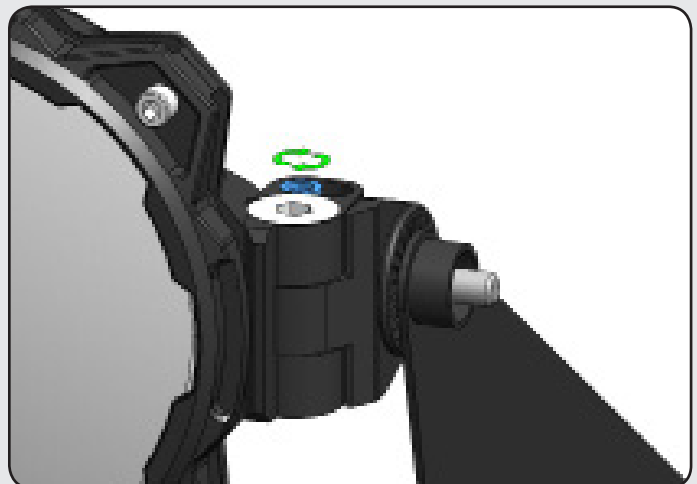
Loosen the M6 Socket-cap Adjustment Screws from End Mounts on both sides of the bar to allow alignment and self-centering.

3. Mounting the Pro6 Light Bar to Vehicle



Safely install the Pro6 by aligning the M8 Hardware on the End Mounts to the Vehicle Mounts. (The ambidextrous design of the mounts allow for the threads to be installed in either direction.)

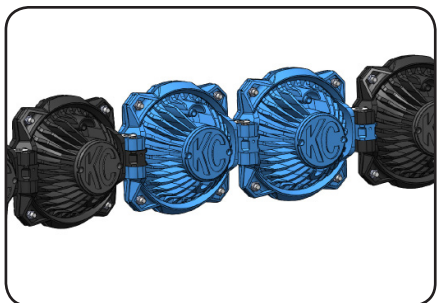
4. Level & Final Tightening Down



Set the final level and pitch of the Pro6: 1) Tighten the M8 Horizontal Mounting Hardware, allowing the Pro6 to center itself. Then, 2) Tighten the M6 End Mount Adjustment Screws to lock light into position.

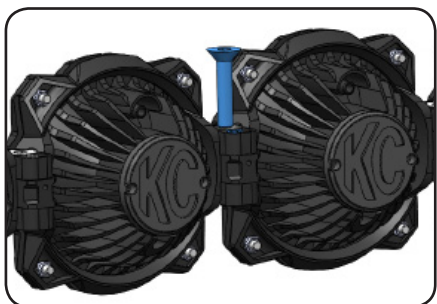
PRO6 INSTALLATION - BUMP-STOP

INSTALLATION & ADJUSTMENT



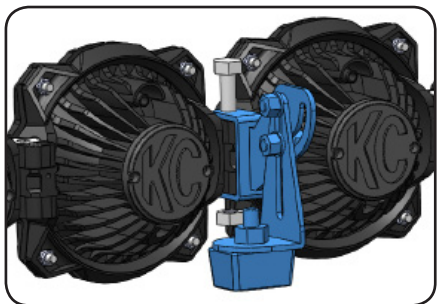
1. Positioning the Bump-stop Assembly

The Bump-stops are anchored on the pivot points between the Pro6 Infinity Ring(s). Make sure to select pivot point that will not interfere any moving parts on the vehicle.



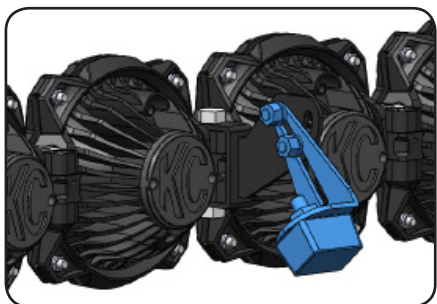
2. Removing Hardware

Once a pivot point has been selected, loosen the M6 adjustment screw (to reduce tension) and remove (only) the custom stainless steel M10 Countersunk Shoulder Bolt.



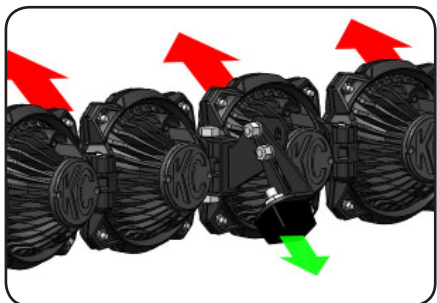
3. Attaching Bump-stop to the Pro6 LED Light Bar

Begin by re-tightening the M6 adjustment screw. Using the supplied M10 shoulder bolt and nyloc nut, firmly attach the Bump-stop Assembly to the Pro6 LED Light Bar.



4. Position Bump-stop Armature

Adjust the position angle of the Bump-stop Armature so that the face of the bushing is mated as flat as possible to the stable surface. The bushing itself can also be loosened and adjusted to help achieve a desired angle.



5. Pre-Load Bar & Final Tightening

Before the final tightening down of the Bump-stop armature, make sure to pre-load the bar to ensure tension is already achieved for maximum stability and vibration dampening. This is accomplished by lifting the bar away from the surface before tightening down the armature.