

Thanks for choosing a KC HiLiTES product. We take pride in building the highest quality, best engineered systems possible. Your satisfaction with our product is important, so if you have any questions, please call our customer service line at 800-528-0950. (M-F 7:30 - 5:00 MT)

Parts included:

2 - 35 watt lights	1 - Wire set	1 - Switch
7 ft - Protective tubing	8 - Wire ties	2 - Wire splices
2 - Mounting brackets with hardware	1 - Alcohol pad	

CAUTION - These two lights draw approximately 6 amps total. Contact your ATV dealer if you are not sure your electrical system will handle the additional load.

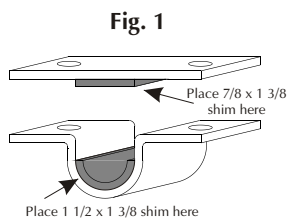
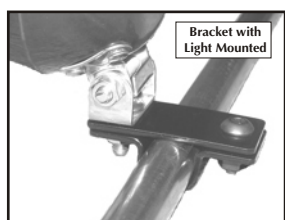
Mounting Your Lights...

- First determine the diameter of the bar on which you are mounting these brackets. (1" or 3/4")
- Next determine where on the bar you want to mount your lights.
- Then follow the instructions below for your size bar.

1 Inch Bar

(do not use rubber shims)

1. Slip the curved bottom piece around the bar from the underside. Hold in place while placing the flat piece on top of the bar.
2. Align the inside holes and loosely bolt the brackets together.
3. Attach your light to the outside hole and tighten securely.
4. Tighten the inside bolt until bracket is secure.
5. Repeat for second bracket.



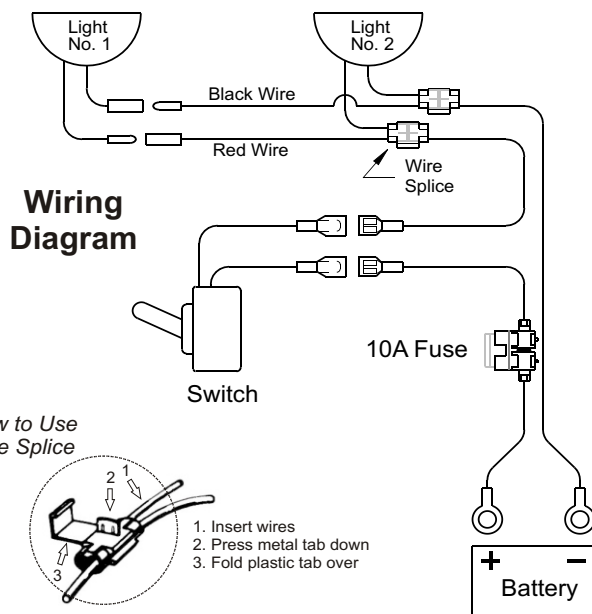
3/4 Inch Bar

1. Clean both parts of the bracket with enclosed alcohol pad or similar solution.
2. Find the 7/8" x 1 3/8" rubber shim. Peel off the protective backing and place it in the middle of the flat top bracket. (see figure 1) *Press firmly in place.*
3. Find the 1 1/2" x 1 3/8" shim. Peel off the protective backing and place it in the center of the "U" shaped area of the curved bottom bracket. (see figure 1) *Press firmly in place.*
4. Slip the curved bottom piece around the bar from the underside. Hold in place while placing the flat piece on top of the bar.
5. Align the inside holes and loosely bolt the brackets together.
6. Attach your light to the outside hole and tighten securely.

7. Tighten the inside bolt until bracket is secure.
8. Repeat for second bracket.

Wiring Your Lights...

1. Find a suitable flat surface that has an open space behind (like the fairing), drill a 1/2" hole and mount the switch.
2. Remove the fuse from the red wire.
3. Plug the red and black wire set into the appropriate red and black wires on the light furthest (#1) from the switch. (see diagram)
4. Cut the terminals off of light #2. As you run the wire set past light #2, attach light #2 red and black wires using the enclosed wire splices.
5. Continue routing the red harness wire back to the switch and plug it into one of the switch wires.
6. Attach the fused red wire to the other switch wire and route it back to the positive (+) battery terminal.



7. Route the black wire back to the battery and attach to the negative (-) post or other suitable ground.
8. Use the enclosed wire ties and protective tubing as needed to secure and protect the wiring.
9. Replace the fuse in the red wire and test your lights.
10. Adjust lights as needed.
11. YOUR DONE!



IF YOU HAVE ANY PROBLEMS OR QUESTIONS, PLEASE CALL
CUSTOMER SERVICE AT 800-528-0950