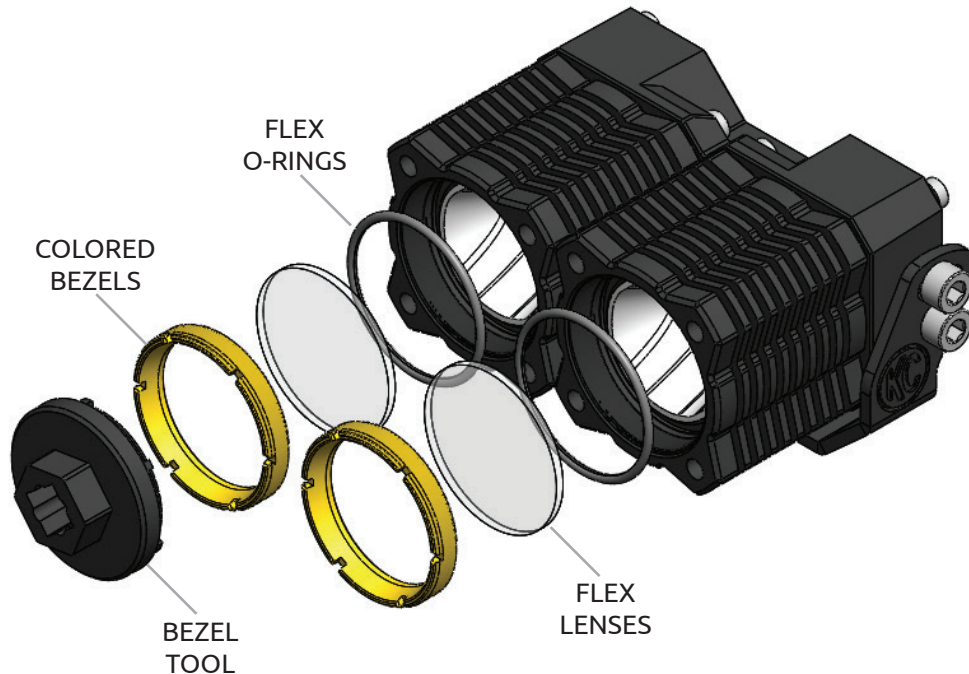


BEZEL INSTALLATION INSTRUCTIONS

WARNING: Please read all instructions before beginning installation. These guidelines are provided in good faith to help prevent any issues arising from errors during installation. The manufacturer of this product shall not be held responsible for any user actions taken or not taken during installation. There are many details of the installation that are assumed to be general mechanical knowledge to experienced installers; which are not detailed in these instructions. These installation guidelines are intended to serve as professional recommendations and are not a step-by-step, fail-safe installation checklist. Selection of an experienced installer is the sole responsibility of the project owner.



TOOLS:



3/8 Drive Ratchet

STEP BY STEP INSTRUCTIONS FOR THE INSTALLATION

1. Insert the Bezel Tool into opposing slots on the bezel.
2. Using a 3/8-Drive Ratchet, Turn Counter-clockwise to loosen bezel.
3. Once loosened, the bezel could be unscrewed by hand.
****For O-Ring Replacement - usage of gloves is recommended to avoid putting fingerprints onto the lens and reflector.****
4. Carefully begin threading the replacement bezel onto light.
5. Using the Bezel Tool, tighten the bezel using moderate pressure until bezel is fully fastened.